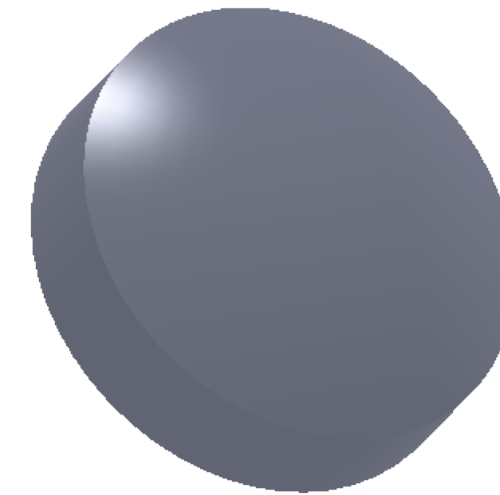
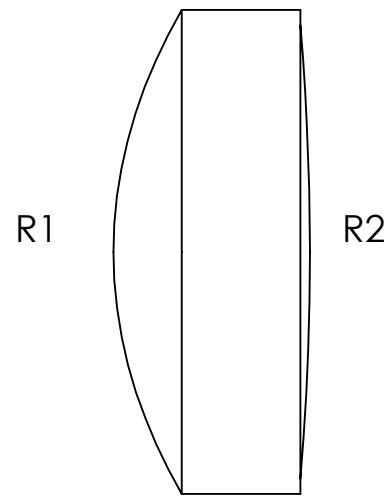
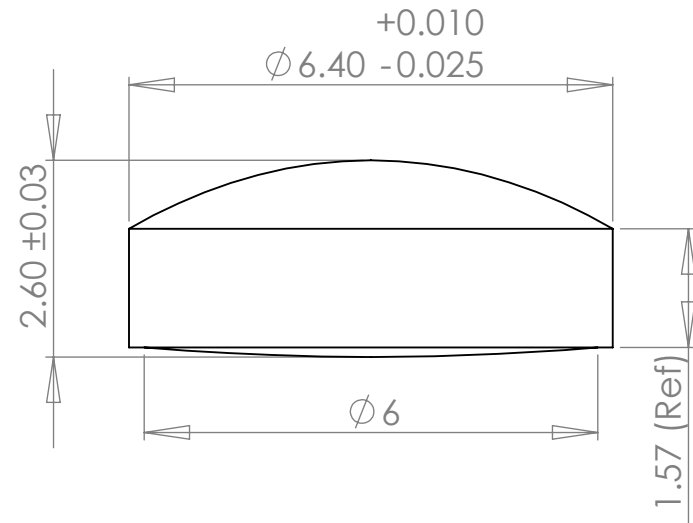


| | Base Radius (mm) | CX | CC | Irregularity (fringes) | Clear Aperture (mm) | Surface Quality (typical) | Centration (arcmin) |
|----|------------------|----|----|------------------------|---------------------|---------------------------|---------------------|
| R1 | 5.920 | X | | 1.0 | 5.5 | 40/20 | 3 |
| R2 | 31.26 | X | | 1.0 | 5.0 | 40/20 | |

| REVISIONS | | | |
|-----------|--------------------|-----------|----------|
| REV. | DESCRIPTION | DATE | APPROVED |
| A | Initial release | | DAT |
| B | Revised Data Table | 3/31/2010 | DAT |
| C | Update | 8/21/2019 | DF |



Notes:

- 1) Material: S-BSL7M
- 2) Edge Chamfer: 0.1-0.3 mm
- 3) AR Coating: <0.5% Reflectivity from 400-650nm ("A" coat) or 620-1080nm ("B" coat), per surface.
- 4) All dimensions in mm unless noted.

PROPRIETARY AND CONFIDENTIAL
 THE INFORMATION CONTAINED IN THIS DRAWING IS THE SOLE PROPERTY OF ARCHER OPTX, INC. ANY REPRODUCTION IN PART OR AS A WHOLE WITHOUT THE WRITTEN PERMISSION OF ARCHER OPTX, INC IS PROHIBITED.

1208 Sigma Ct
 Rockwall, TX 75087
 Ph: (972) 722-1064
 Web: www.archeroptx.com

Archer Optx
 Optical Precision. Optimal Outcome.

| | | | | |
|---|---------|-----------|------|----------------------------------|
| UNLESS OTHERWISE SPECIFIED: | | NAME | DATE | TITLE: P6410 |
| DIMENSIONS ARE IN MM TOLERANCES: FRACTIONAL ± ANGULAR: MACH ± BEND ± TWO PLACE DECIMAL ± THREE PLACE DECIMAL ± | | DRAWN | | |
| INTERPRET GEOMETRIC TOLERANCING PER: | | CHECKED | | |
| MATERIAL | | ENG APPR. | | |
| FINISH | | MFG APPR. | | |
| NEXT ASSY | USED ON | Q.A. | | SIZE B DWG. NO. |
| APPLICATION | | COMMENTS: | | REV C |
| DO NOT SCALE DRAWING | | | | SCALE: 10:1 WEIGHT: SHEET 1 OF 1 |