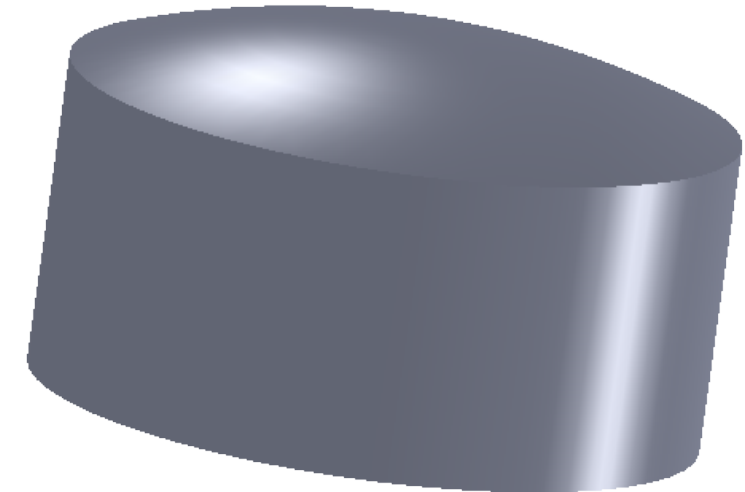
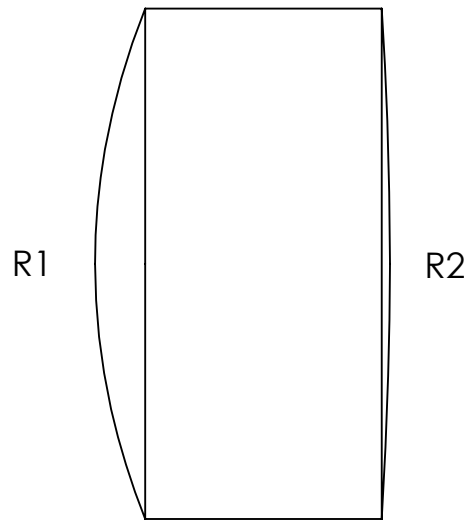
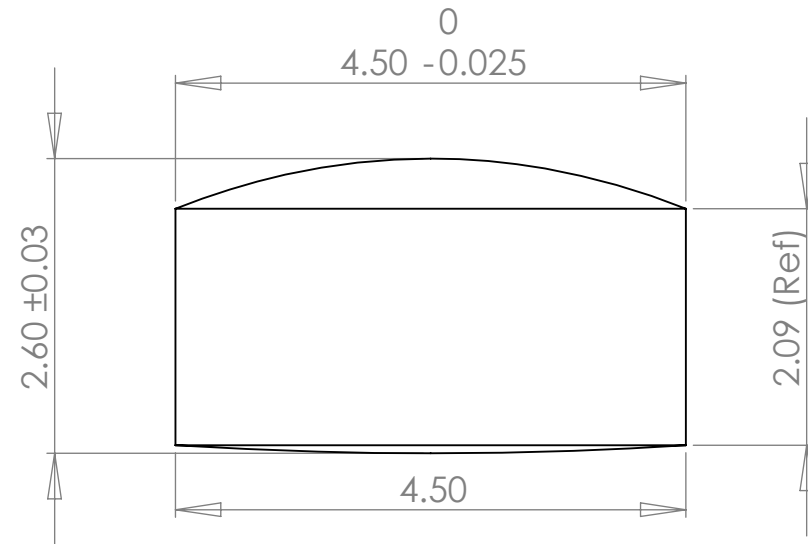


	Base Radius (mm)	CX	CC	Irregularity (fringes)	Clear Aperture (mm)	Surface Quality (typical)	Centration (arcmin)
R1	5.920	X		1.0	4.0	40/20	3
R2	31.26	X		1.0	4.0	40/20	

REVISIONS			
REV.	DESCRIPTION	DATE	APPROVED
A	Initial release	1/8/2009	DAT
B	Revised Data Table	3/31/2010	DAT
C	Update	8/21/2019	DF



Notes:

- 1) Material: BSL7M
- 2) Edge Chamfer: 0.1-0.3mm
- 3) AR Coating: <0.5% Reflectivity from 400-650nm ("A" coat) or 620-1080nm ("B" coat), per surface.
- 4) All dimensions in mm unless noted

1208 Sigma Ct
 Rockwall, TX 75087
 Ph: (972) 722-1064
 Web: www.archeroptx.com

Archer Optx
 Optical Precision. Optimal Outcome.

PROPRIETARY AND CONFIDENTIAL
 THE INFORMATION CONTAINED IN THIS DRAWING IS THE SOLE PROPERTY OF ARCHER OPTX, INC. ANY REPRODUCTION IN PART OR AS A WHOLE WITHOUT THE WRITTEN PERMISSION OF ARCHER OPTX, INC IS PROHIBITED.

UNLESS OTHERWISE SPECIFIED:		NAME	DATE	TITLE: P4510
DIMENSIONS ARE IN MM TOLERANCES: FRACTIONAL ± ANGULAR: MACH ± BEND ± TWO PLACE DECIMAL ±0.25 THREE PLACE DECIMAL ±0.075		DRAWN		
INTERPRET GEOMETRIC TOLERANCING PER:		CHECKED		
MATERIAL		ENG APPR.		
FINISH		MFG APPR.		
NEXT ASSY	USED ON	Q.A.		SIZE B DWG. NO.
APPLICATION		COMMENTS:		REV C
DO NOT SCALE DRAWING				SCALE: 20:1 WEIGHT: SHEET 1 OF 1