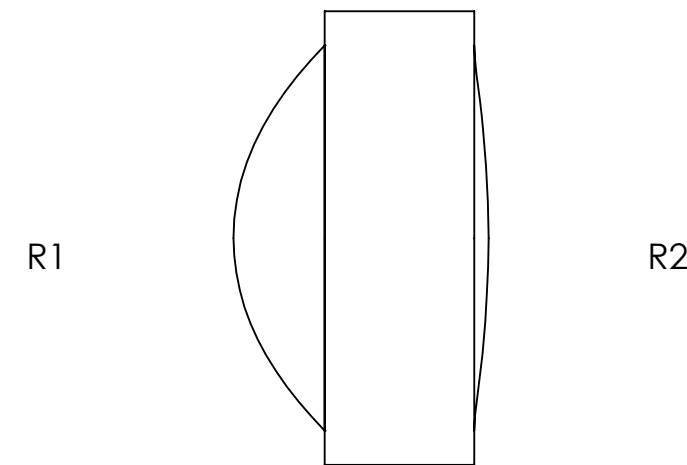
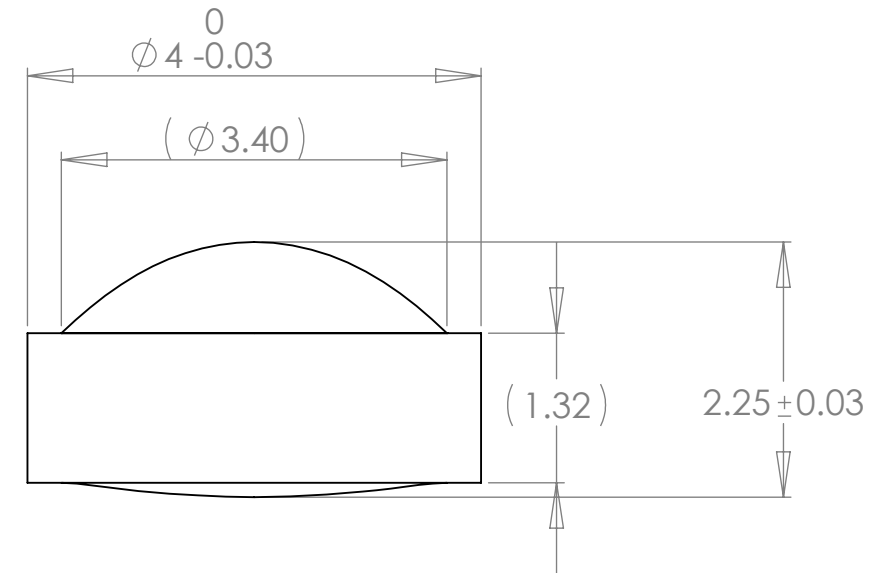
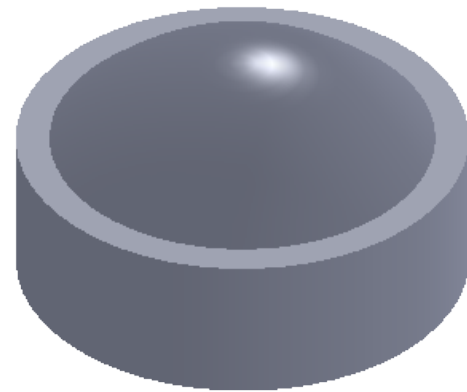


	Base Radius (mm)	CX	CC	Irregularity (Fringes)	Clear Aperture (mm)	Surface Quality (Typical)	Centration (arcmin)
R1	1.92	X		1	2.91	40/20	3
R2	7.523	X		1	2.91	40/20	

REVISIONS			
REV.	DESCRIPTION	DATE	APPROVED
B	Update	8/21/2019	DF



Notes:

- 1) Material: S-LAL12M
- 2) R <math>< 0.5\%</math> reflectivity from 370-500nm ("370" coat) or 620-1080nm ("B" coat), per surface.
- 3) Bevel: 0.1 - 0.3mm
- 4) All dimensions in mm unless noted

1208 Sigma Ct
 Rockwall, TX 75087
 Ph: (972) 722-1064
 Web: www.archeroptx.com



PROPRIETARY AND CONFIDENTIAL
 THE INFORMATION CONTAINED IN THIS DRAWING IS THE SOLE PROPERTY OF ARCHER OPTX, INC. ANY REPRODUCTION IN PART OR AS A WHOLE WITHOUT THE WRITTEN PERMISSION OF ARCHER OPTX, INC. IS PROHIBITED.

		UNLESS OTHERWISE SPECIFIED:	NAME	DATE	TITLE: P4002
		DIMENSIONS ARE IN MM	DRAWN		
		TOLERANCES:	CHECKED		
		FRACTIONAL \pm	ENG APPR.		
		ANGULAR: MACH \pm BEND \pm	MFG APPR.		
		TWO PLACE DECIMAL \pm	Q.A.		SIZE DWG. NO. REV B 092910-1 B
		THREE PLACE DECIMAL \pm	COMMENTS:		
		INTERPRET GEOMETRIC TOLERANCING PER:			SCALE: 15:1 WEIGHT: SHEET 1 OF 1
		MATERIAL			
NEXT ASSY	USED ON	FINISH			
APPLICATION		DO NOT SCALE DRAWING			