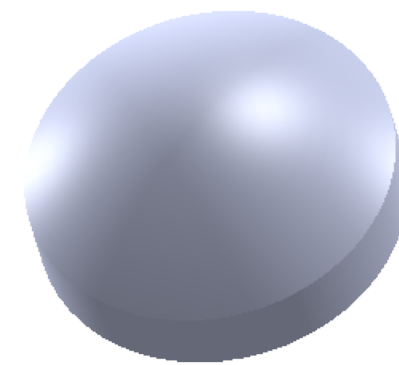
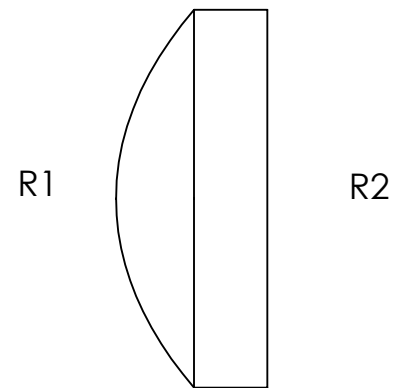
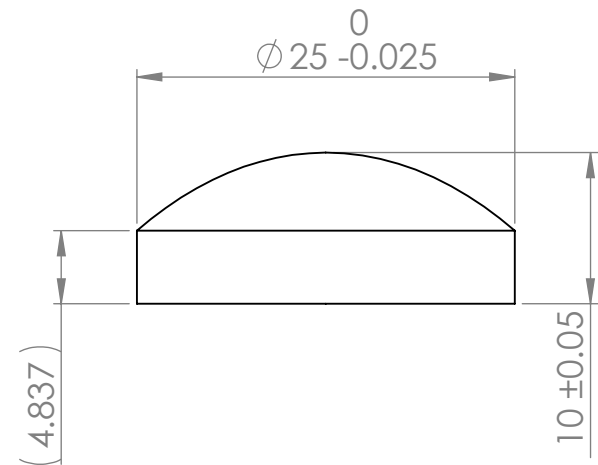


	8	7	6	5	4	3	2	1
	Base Radius (mm)	CX	CC	Irregularity (Fringes)	Clear Aperture (mm)	Surface Quality (typical)	Centration	
R1	15.8464	X		1	22.5	60/40	3	
R2	Infinity			1	22.5	60/40		

REVISIONS			
REV.	DESCRIPTION	DATE	APPROVED
G	Coating Updates	8/23/2019	DF



Notes:

Material: S-LAH60

Coating: <0.5% reflectivity from 400-650nm ("A" coat) or 620-1080nm ("B" coat), Coat Both R1 & R2

1600 Coating: AR R <1% @ I= 1600-2400nm Coat Both R1 & R2
 950 Coating: AR R <1% @ I= 950-1800nm Coat Both R1 & R2

Break Sharp Edges

All dimensions in mm unless noted

1208 Sigma CT.
 Rockwall, TX 75087
 Ph: (972) 722-1064
 Web: www.archeroptx.com



PROPRIETARY AND CONFIDENTIAL
 THE INFORMATION CONTAINED IN THIS DRAWING IS THE SOLE PROPERTY OF ARCHER OPTX, INC. ANY REPRODUCTION IN PART OR AS A WHOLE WITHOUT THE WRITTEN PERMISSION OF ARCHER OPTX, INC. IS PROHIBITED.

UNLESS OTHERWISE SPECIFIED:		NAME	DATE	TITLE: Convex Plano Asphere
DIMENSIONS ARE IN MM		DRAWN		
TOLERANCES:		CHECKED		
FRACTIONAL ±		ENG APPR.		
ANGULAR: MACH ± BEND ±		MFG APPR.		
TWO PLACE DECIMAL ±		Q.A.		SIZE DWG. NO. REV B P2519 G
THREE PLACE DECIMAL ±		COMMENTS:		
INTERPRET GEOMETRIC TOLERANCING PER:				SCALE: 2:1 WEIGHT: SHEET 1 OF 1
MATERIAL				
NEXT ASSY	USED ON	FINISH		
APPLICATION		DO NOT SCALE DRAWING		