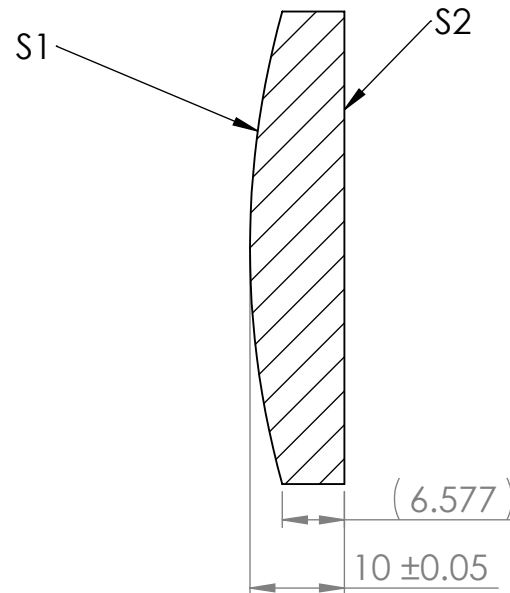
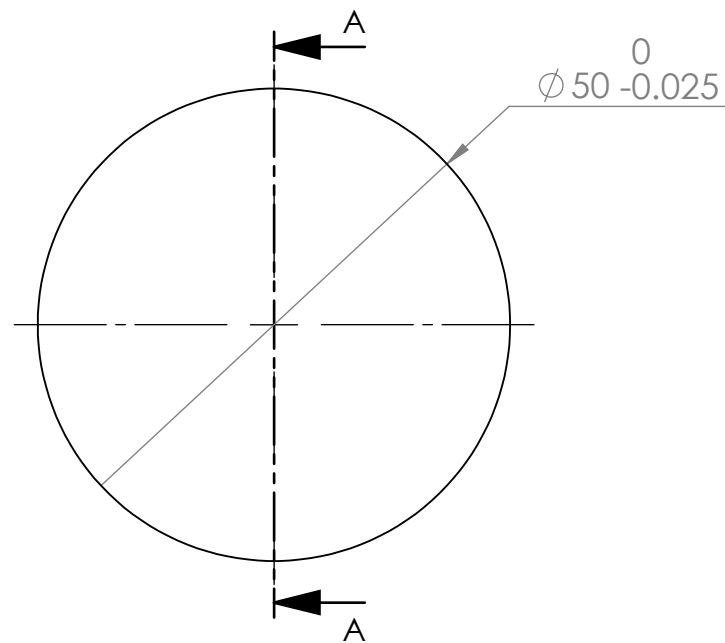
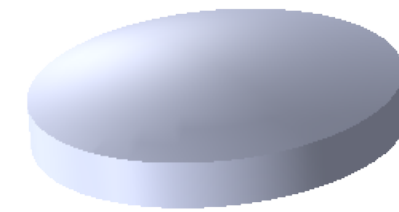


REVISIONS			
REV.	DESCRIPTION	DATE	BY
A	Initial	3/28/2019	DF



SECTION A-A



S1 Aspheric Surface:
 Radius: 92.017 (4 Fringers Power)
 Irregularity: <math>< 0.4</math> micron PV
 Surface Quality: 40/20 SD

S2 Plano Surface:
 Radius: Plano
 Flatness:
 Surface Quality : 40/20 S/D

EFL @ 546nm = 200mm

Notes:

- 1) Material UV Grade Fused Silica
 - 2) Clear aperture 45mm
 - 3) Centration/Wedge <math>< 3</math>arcmin
 - 4) Customer Coating per Customer Request
- Beval Edges: 0.1-0.3 max max face width at 45 degrees

1208 Sigma CT.
 Rockwall, TX 75087
 Ph: (972) 722-1064
 Web: www.archeroptx.com



PROPRIETARY AND CONFIDENTIAL
 THE INFORMATION CONTAINED IN THIS DRAWING IS THE SOLE PROPERTY OF ARCHER OPTX, INC. ANY REPRODUCTION IN PART OR AS A WHOLE WITHOUT THE WRITTEN PERMISSION OF ARCHER OPTX, INC. IS PROHIBITED.

UNLESS OTHERWISE SPECIFIED:		NAME	DATE	TITLE: Convex Plano Asphere
DIMENSIONS ARE IN MM		DRAWN		
TOLERANCES:		CHECKED		
FRACTIONAL \pm		ENG APPR.		
ANGULAR: MACH \pm BEND \pm		MFG APPR.		
TWO PLACE DECIMAL \pm		Q.A.		SIZE DWG. NO. REV B GACP-50-200 A
THREE PLACE DECIMAL \pm		COMMENTS:		
INTERPRET GEOMETRIC TOLERANCING PER:				SCALE: 1.25:WEIGHT: SHEET 1 OF 1
MATERIAL				
NEXT ASSY	USED ON			
FINISH				
APPLICATION		DO NOT SCALE DRAWING		