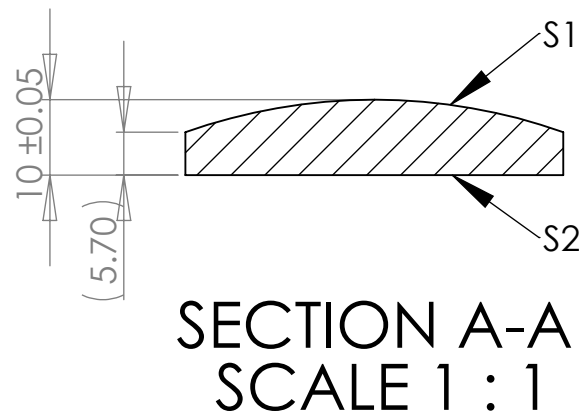
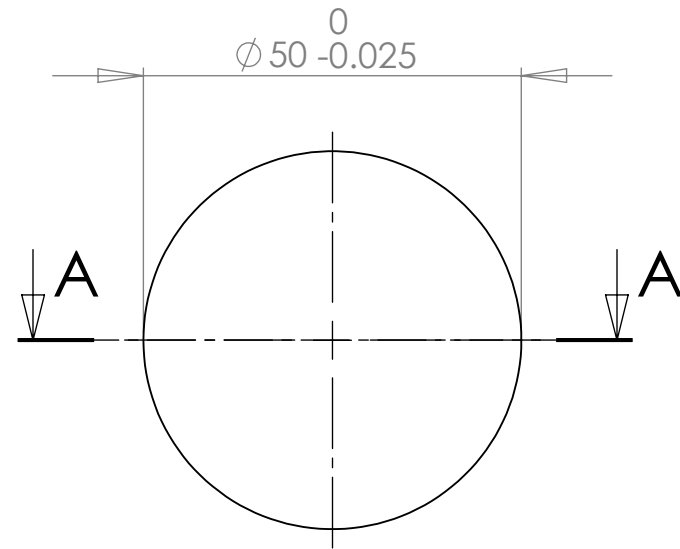


REVISIONS			
REV.	DESCRIPTION	DATE	APPROVED
A	Initial release	1/31/2013	DAT

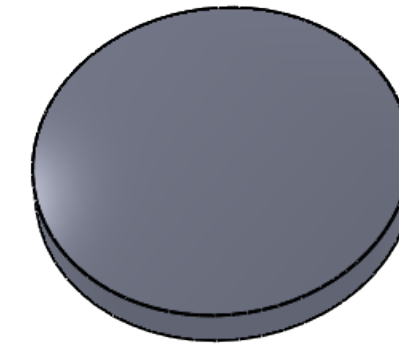


S1 Aspheric Surface:

Radius: 73.614mm (4 Fringes power)
 Irregularity: 0.4 microns PV
 Surface Quality: 40/20

S2 Plano Surface:

Radius: Plano
 Flatness: Lambda/4 (Power <1 fringe)
 Surface Quality: 40/20



EFL @546nm = 160.0mm

Notes:

- 1) Material: UV grade Fused Silica
- 2) Clear Aperture: 45mm
- 3) Centration/Wedge: <1 arcmin
- 4) Custom Coating per Customer Request
- 5) Edge Bevel: 0.1-0.3mm max face width at 45°
- 6) All dimensions in mm unless noted

1208 Sigma CT.
 Rockwall, TX 75087
 Ph: (972) 722-1064
 Web: www.archeroptx.com



PROPRIETARY AND CONFIDENTIAL
 THE INFORMATION CONTAINED IN THIS DRAWING IS THE SOLE PROPERTY OF ARCHER OPTX, INC. ANY REPRODUCTION IN PART OR AS A WHOLE WITHOUT THE WRITTEN PERMISSION OF ARCHER OPTX, INC. IS PROHIBITED.

UNLESS OTHERWISE SPECIFIED:		NAME	DATE	TITLE: GACP-50-160
DIMENSIONS ARE IN MM TOLERANCES: FRACTIONAL ± ANGULAR: MACH ± BEND ± TWO PLACE DECIMAL ± THREE PLACE DECIMAL ±		DRAWN		
INTERPRET GEOMETRIC TOLERANCING PER:		CHECKED		
MATERIAL		ENG APPR.		
FINISH		MFG APPR.		
NEXT ASSY	USED ON	Q.A.		SIZE B DWG. NO. 013113-1 REV A
APPLICATION		COMMENTS:		
DO NOT SCALE DRAWING		SCALE: 2:1 WEIGHT:		SHEET 1 OF 1