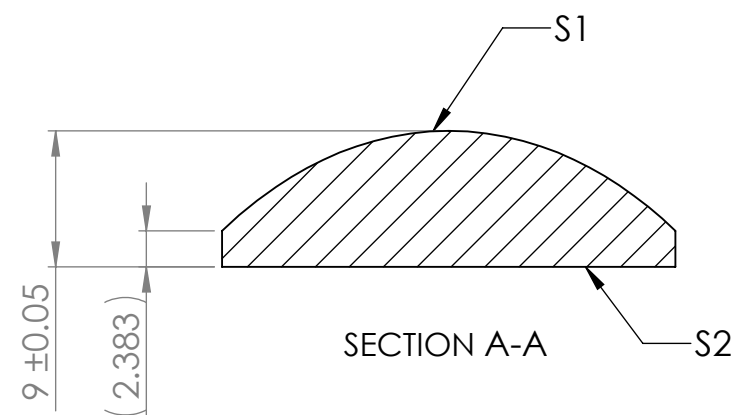
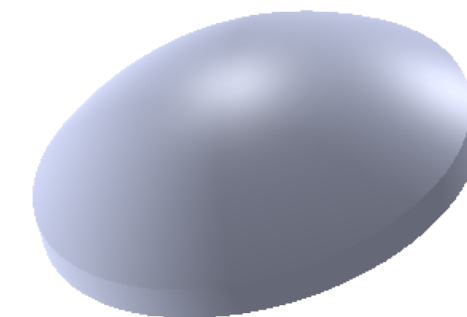
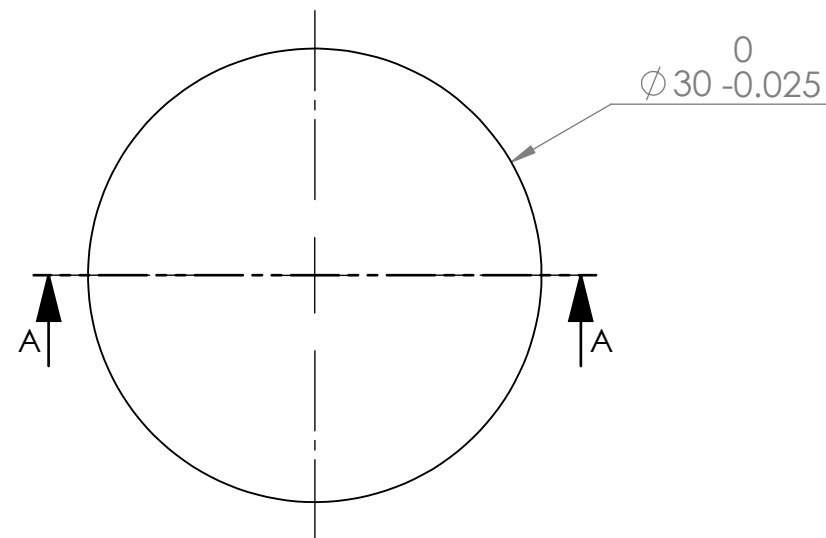


REVISIONS			
REV.	DESCRIPTION	DATE	BY
A	Initial	9/24/2019	DF



S1 Aspheric Surface:

Radius: 18.403mm (4 fringes Power)
 Irregularity: <0.4 micron PV
 Surface Quality: 40/20

S2 Plano Surface:

Radius: Plano
 Flatness: Lambda/4 (<1 fringe Power)
 Surface Quality: 40/20

EFL @ 546nm = 40

Notes:

- 1) Material: UV Grade Fused Silica
- 2) Clear Aperture: 27mm
- 3) Centration/Wedge: <3 arcmin
- 4) Custom Coating per Customer Request
- 5) Bevel Edges: 0.1-0.3mm max face width at 45
- 6) All dimensions in mm unless noted

1208 Sigma CT.
 Rockwall, TX 75087
 Ph: (972) 722-1064
 Web: www.archeroptx.com



PROPRIETARY AND CONFIDENTIAL
 THE INFORMATION CONTAINED IN THIS DRAWING IS THE SOLE PROPERTY OF ARCHER OPTX, INC. ANY REPRODUCTION IN PART OR AS A WHOLE WITHOUT THE WRITTEN PERMISSION OF ARCHER OPTX, INC. IS PROHIBITED.

UNLESS OTHERWISE SPECIFIED:		NAME	DATE	TITLE: Convex Plano Asphere
DIMENSIONS ARE IN MM		DRAWN		
TOLERANCES:		CHECKED		
FRACTIONAL ±		ENG APPR.		
ANGULAR: MACH ± BEND ±		MFG APPR.		
TWO PLACE DECIMAL ±		Q.A.		SIZE DWG. NO. REV B GACP-30-40 A
THREE PLACE DECIMAL ±		COMMENTS:		
INTERPRET GEOMETRIC TOLERANCING PER:				SCALE: 2:1 WEIGHT: SHEET 1 OF 1
MATERIAL				
NEXT ASSY	USED ON			
FINISH				
APPLICATION		DO NOT SCALE DRAWING		