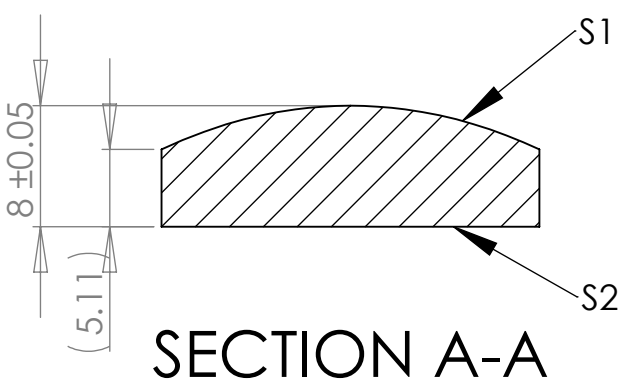
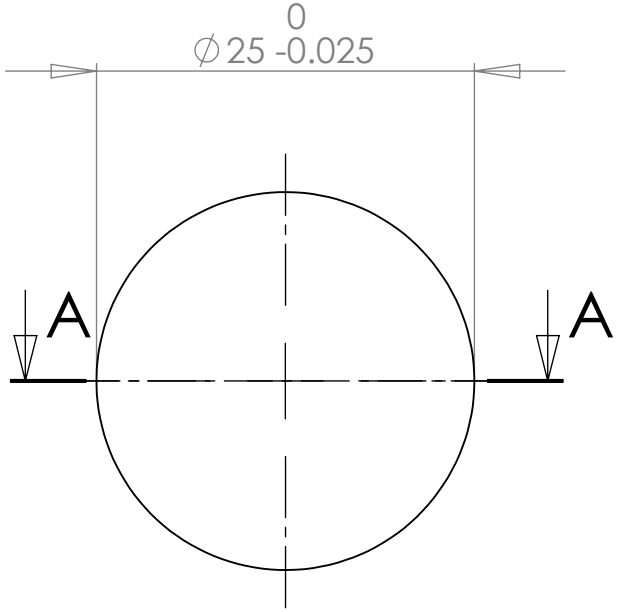
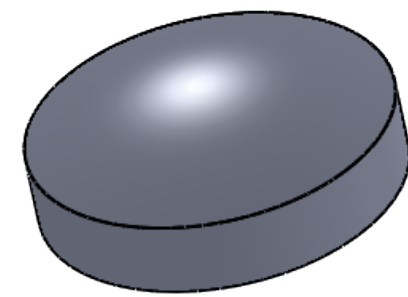


REVISIONS			
REV.	DESCRIPTION	DATE	APPROVED
A	Initial Release	2/21/2013	DAT



**S1 Aspheric Surface:**  
 Radius: 27.605mm (4 fringes Power)  
 Irregularity: <math>< 0.4</math> micron PV  
 Surface Quality: 40/20

**S2 Plano Surface:**  
 Radius: Plano  
 Flatness:  $\lambda/4$  (<math>< 1</math> fringe power)  
 Surface Quality: 40/20



EFL @546nm = 60.0mm

- Notes:
- 1) Material: UV Grade Fused Silica
  - 2) Clear Aperture: 22.5mm
  - 3) Centration/Wedge: 3 arcmin
  - 4) Custom Coating per Customer Request
  - 5) Bevel Edges: 0.1-0.3mm max face width at  $45^\circ$
  - 6) All dimensions in mm unless noted

1208 Sigma CT.  
 Rockwall, TX 75087  
 Ph: (972) 722-1064  
 Web: www.archeroptx.com



**PROPRIETARY AND CONFIDENTIAL**  
 THE INFORMATION CONTAINED IN THIS DRAWING IS THE SOLE PROPERTY OF ARCHER OPTX, INC. ANY REPRODUCTION IN PART OR AS A WHOLE WITHOUT THE WRITTEN PERMISSION OF ARCHER OPTX, INC. IS PROHIBITED.

UNLESS OTHERWISE SPECIFIED:		NAME	DATE	TITLE: <b>GACP-25-60</b>
DIMENSIONS ARE IN MM TOLERANCES: FRACTIONAL $\pm$ ANGULAR: MACH $\pm$ BEND $\pm$ TWO PLACE DECIMAL $\pm$ THREE PLACE DECIMAL $\pm$		DRAWN		
INTERPRET GEOMETRIC TOLERANCING PER:		CHECKED		
MATERIAL		ENG APPR.		
FINISH		MFG APPR.		
NEXT ASSY	USED ON	Q.A.		SIZE DWG. NO. REV <b>B</b> 022113-3 <b>A</b>
APPLICATION		COMMENTS:		
DO NOT SCALE DRAWING		SCALE: 2:1	WEIGHT:	SHEET 1 OF 1