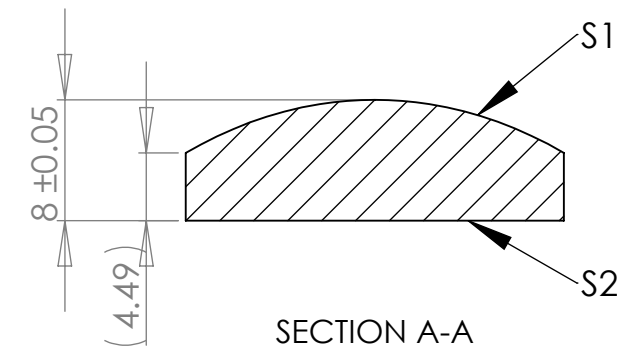
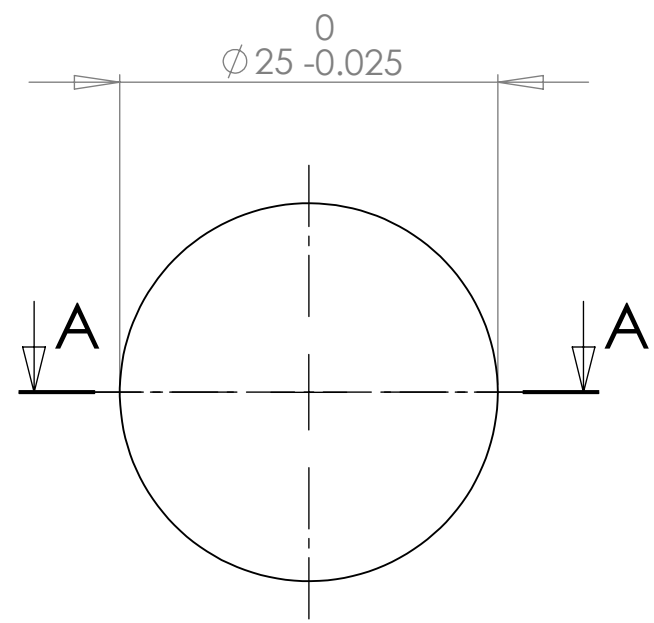


REVISIONS			
REV.	DESCRIPTION	DATE	APPROVED
A	Initial Release	2/21/2013	DAT

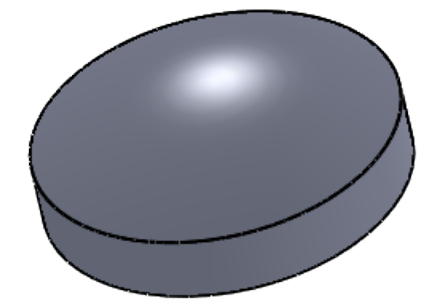


S1 Aspheric Surface:

Radius: 23.004mm (4 fringes Power)
 Irregularity: <math>< 0.4</math> micron PV
 Surface Quality: 40/20

S2 Plano Surface:

Radius: plano
 Flatness: $\lambda/4$ (<math>< 1</math> fringe power)
 Surface Quality: 40/20



EFL@546nm = 50.0mm

Notes:

- 1) Material: UV Grade Fused Silica
- 2) Clear Aperture: 22.5mm
- 3) Centration/Wedge: <math>< 3</math> acrmin
- 4) Custom Coating per Customer Request
- 5) Bevel Edges: 0.1-0.3mm max face width at 45°
- 6) All dimensions in mm unless noted

1208 Sigma CT.
 Rockwall, TX 75087
 Ph: (972) 722-1064
 Web: www.archeroptx.com



PROPRIETARY AND CONFIDENTIAL
 THE INFORMATION CONTAINED IN THIS DRAWING IS THE SOLE PROPERTY OF ARCHER OPTX, INC. ANY REPRODUCTION IN PART OR AS A WHOLE WITHOUT THE WRITTEN PERMISSION OF ARCHER OPTX, INC. IS PROHIBITED.

UNLESS OTHERWISE SPECIFIED:		NAME	DATE	TITLE: GACP-25-50
DIMENSIONS ARE IN MM TOLERANCES: FRACTIONAL \pm ANGULAR: MACH \pm BEND \pm TWO PLACE DECIMAL \pm THREE PLACE DECIMAL \pm		DRAWN		
INTERPRET GEOMETRIC TOLERANCING PER:		CHECKED		
MATERIAL		ENG APPR.		
FINISH		MFG APPR.		
NEXT ASSY	USED ON	Q.A.		SIZE DWG. NO. REV B 022113-2 A
APPLICATION		COMMENTS:		SCALE: 2:1 WEIGHT: SHEET 1 OF 1
DO NOT SCALE DRAWING				